

aquatica®

Function, Form & Fashion



Lorena-F-280 & Lorena-F-290
Floor Mounted Sink Faucets

Installation & Care Manual
Europe / International

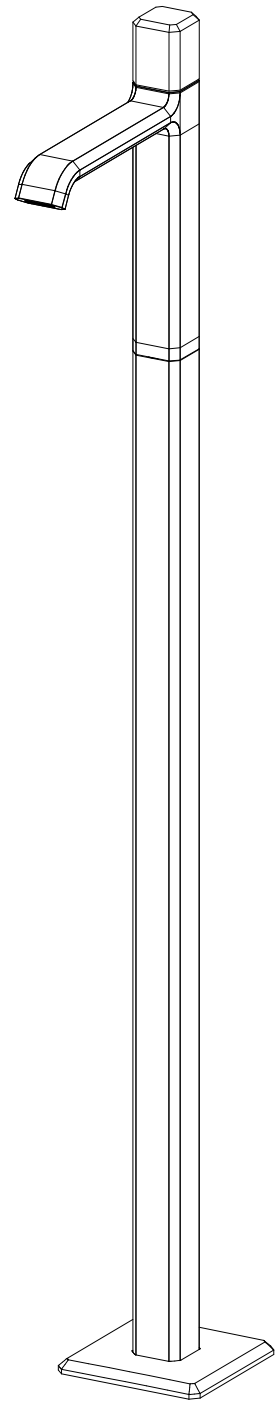
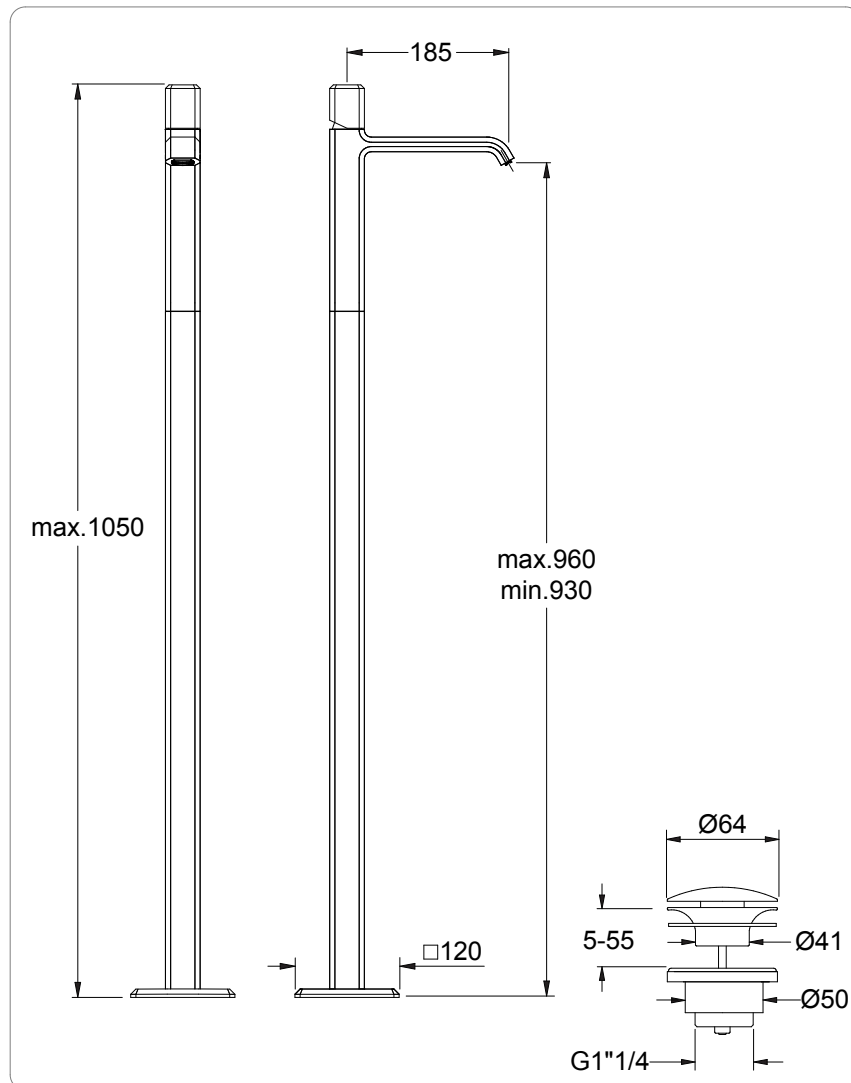
Lorena-F-280

Lorena-F-290

Floor Mounted Sink Faucets

PARTS LIST

 MEASUREMENTS: mm

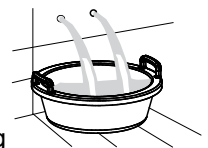


SPECIFICATIONS

Recommended operational pressure	1-5 bar
Maximum test pressure	16 bar
Maximum hot water temperature	70 °C
Recommended temperature	50-60 °C
Pressure difference between hot and cold water	max. 1,5 bar

IMPORTANT NOTE

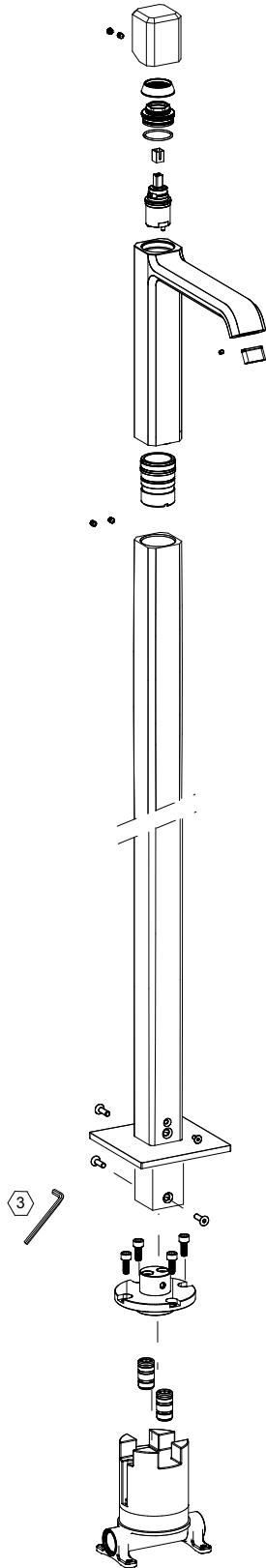
- Installation to be performed by qualified personnel
- Before connecting to mains, bleed the pipes to avoid damage.



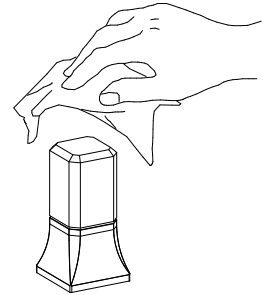
Lorena-F-280 Lorena-F-290

Floor Mounted Sink Faucets

INSTALLATION



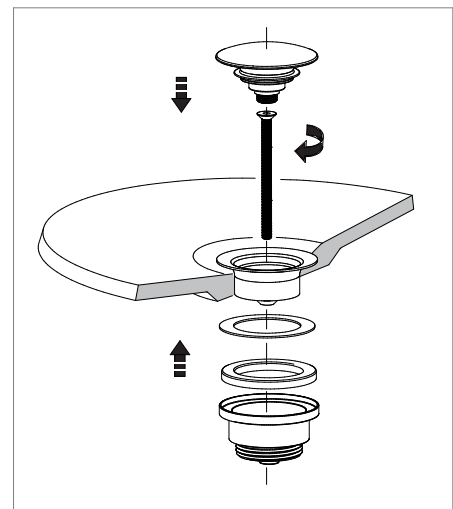
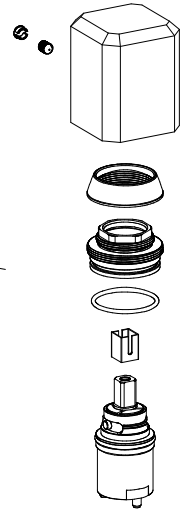
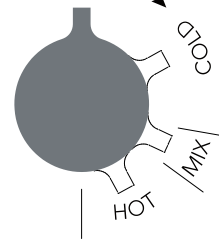
aquatica®
Function, Form & Fashion



For marble handles cleaning,
use a specific detergent

Lorena-F-280

START
STOP



aquatica®
Function, Form & Fashion

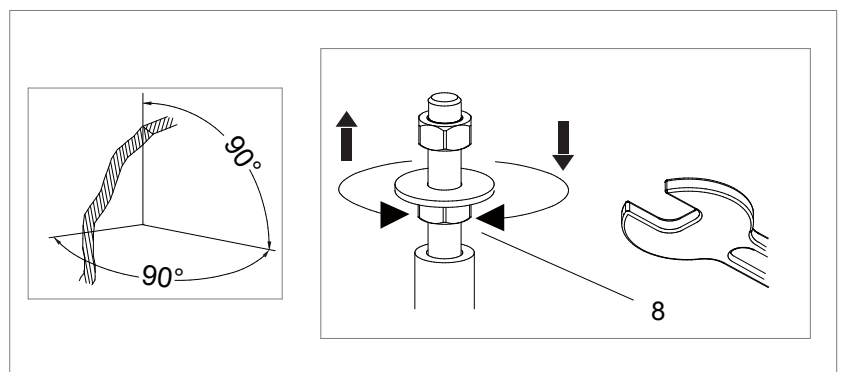
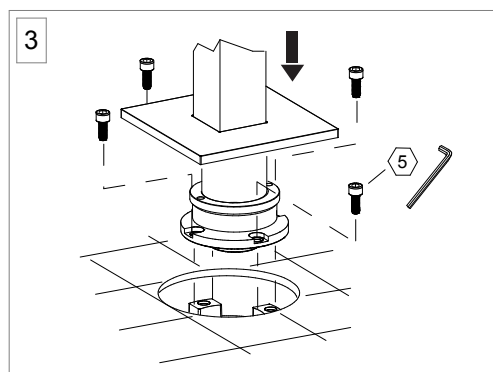
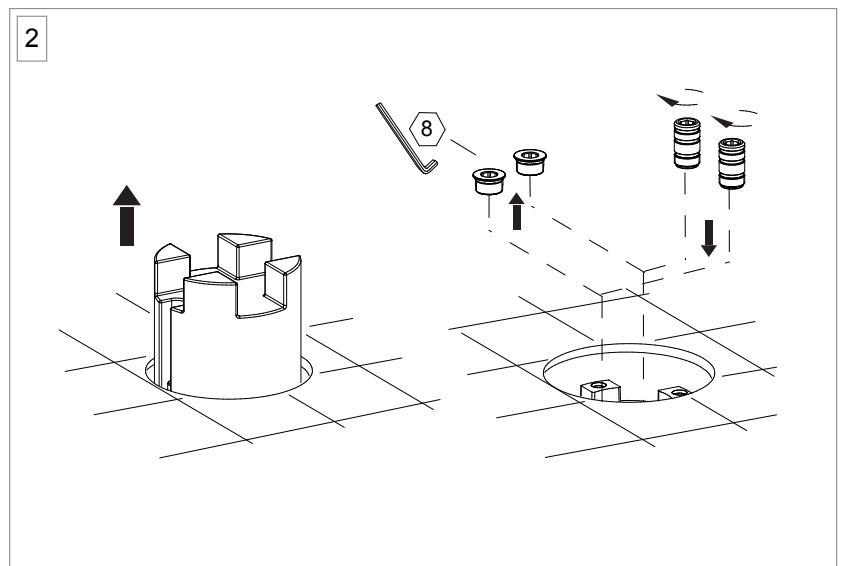
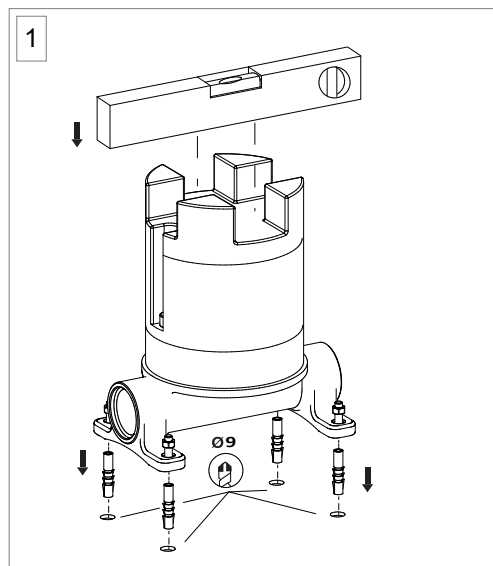
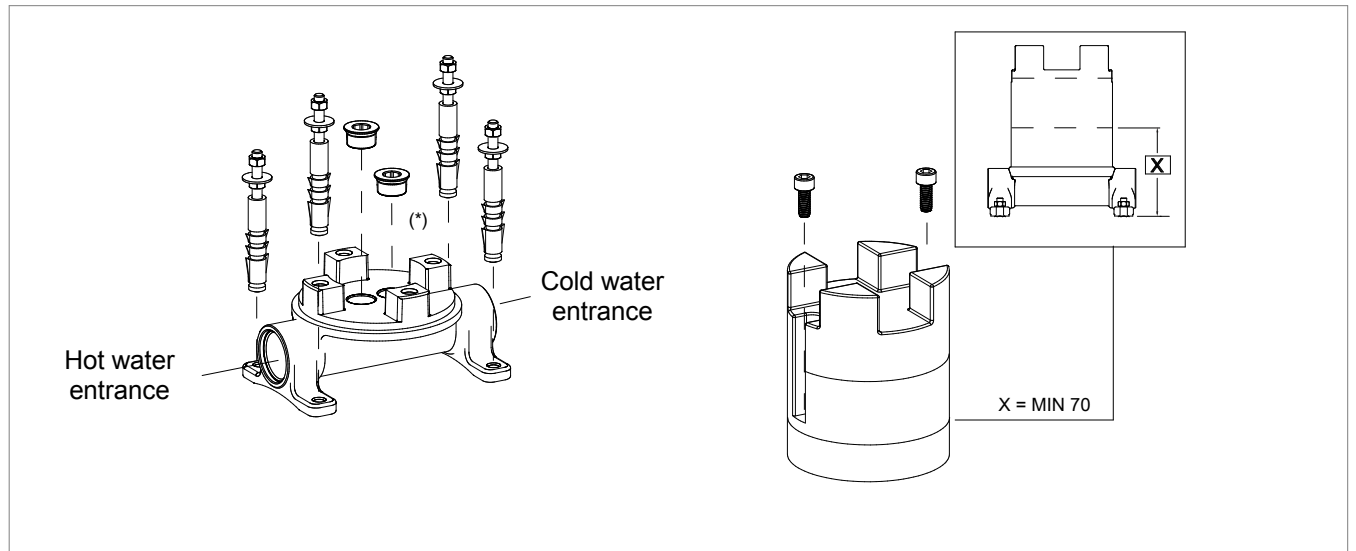
Lorena-F-280

Lorena-F-290

Floor Mounted Sink Faucets

INSTALLATION

Lorena-F-290



aquatica®

Function, Form & Fashion

